
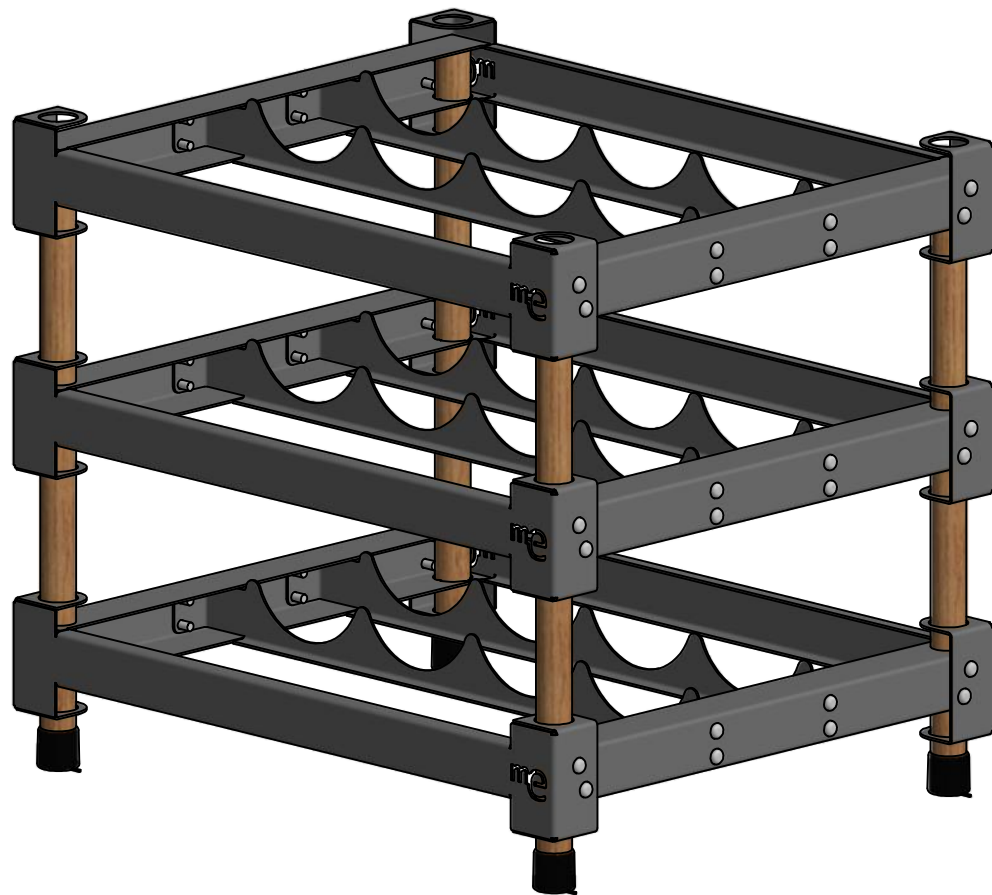


Me For You Wine Rack Product Brochure

Hello Fellow Wine lover.

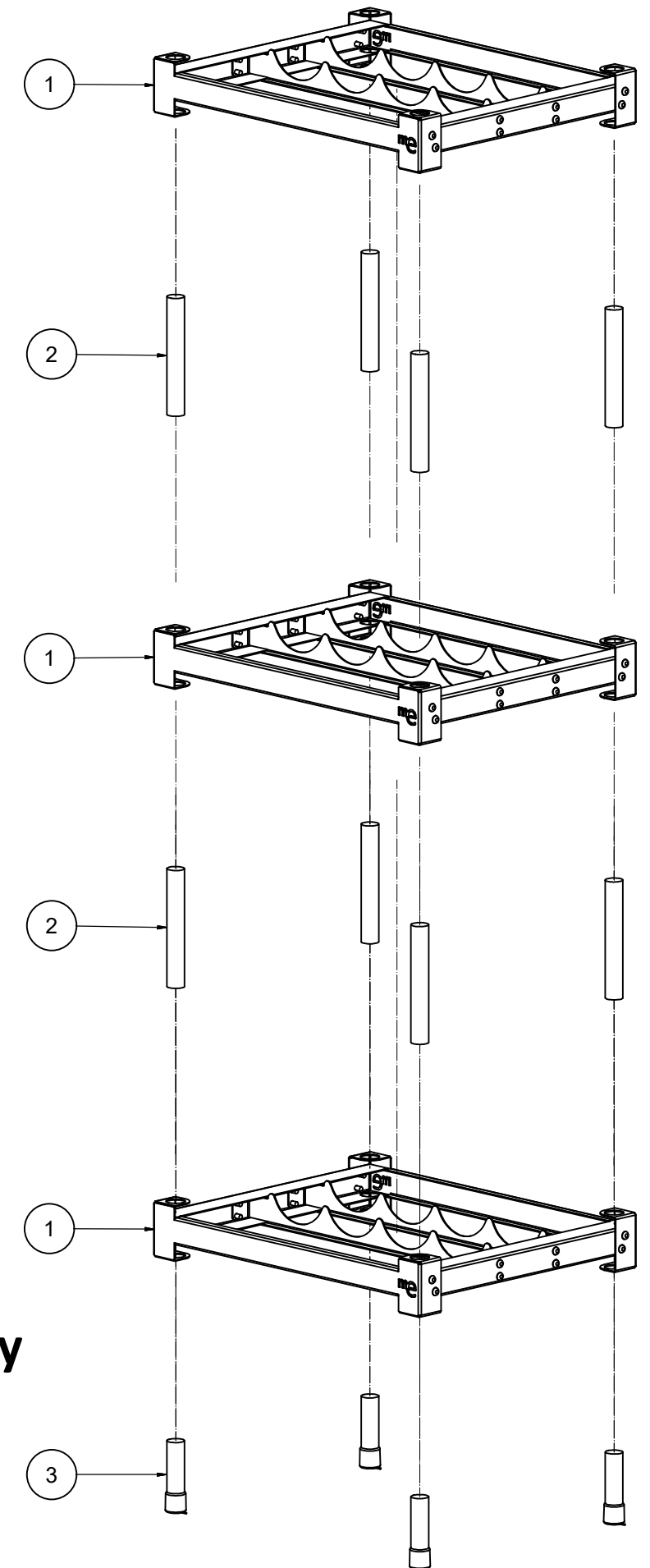
Thank you for purchasing the  wine rack. Did you know that you can buy a 2nd and 3rd set and stack them to house 36 bottles of your Favorite wine!



Assembly Process:

Its really easy. The Diagram on the right show the exploded view (like a Lego model). For extra guidance there is a basic parts list at the bottom. The Wooden Dells may need extra persuasion to fit into the bottom of each Wine Rack Sub Assembly. This is for extra stability.

ITEM	QTY	DESCRIPTION
1	3	Wine Rack Sub Assembly
2	8	Wooden Dell 130mm
3	4	Wooden Dell 75mm with Plastic Foot



Now you can show-off your new wine rack to your friends and family (and give an excellent recommendation)!



Visit our website for more products from
or e-mail us for more info:
www.medesigns.co.za
info@medesigns.co.za

